

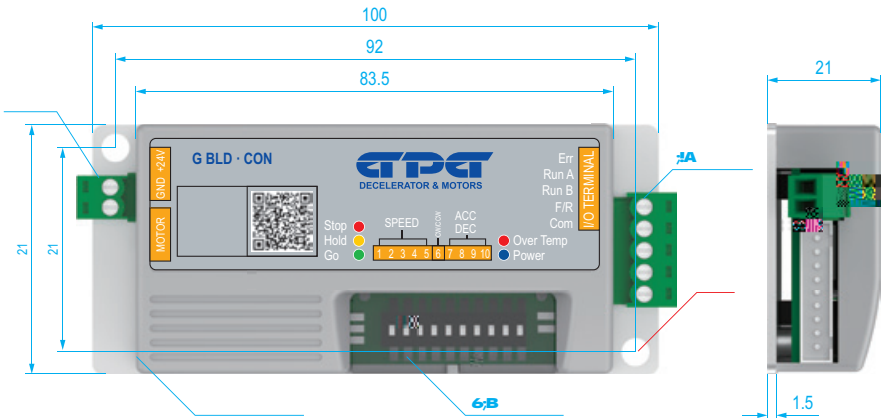


%"

! !  
!  
!  
>76



	" p' " °5
	. * " . D:
	# " " " ?
	' ž) _ le
	ž \$" p' " °5







EI )	EI *	EI +	EI #"	!
A 88	A 88	A 88	A 88	" Z' "
A 88	A 88	A 88	A @	" Z# "
A 88	A 88	A @	A 88	" Z\$ "
A 88	A 88	A @	A @	" Z% "
A 88	A @	A 88	A 88	" Z& "
A 88	A @	A 88	A @	" Z' "
A 88	A @	A @	A 88	" Z( "
A 88	A @	A @	A @	" Z) "
A @	A 88	A 88	A 88	" Z* "
A @	A 88	A 88	A @	# Z' "
A @	A 88	A @	A 88	# Z\$ "
A @	A 88	A @	A @	# Z& "
A @	A @	A 88	A 88	# Z( "
A @	A @	A 88	A @	# Z* "
A @	A @	A @	A 88	\$ Z' "
A @	A @	A @	A @	\$ Z' "

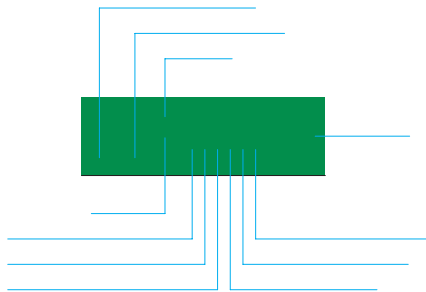


GBLD 6010

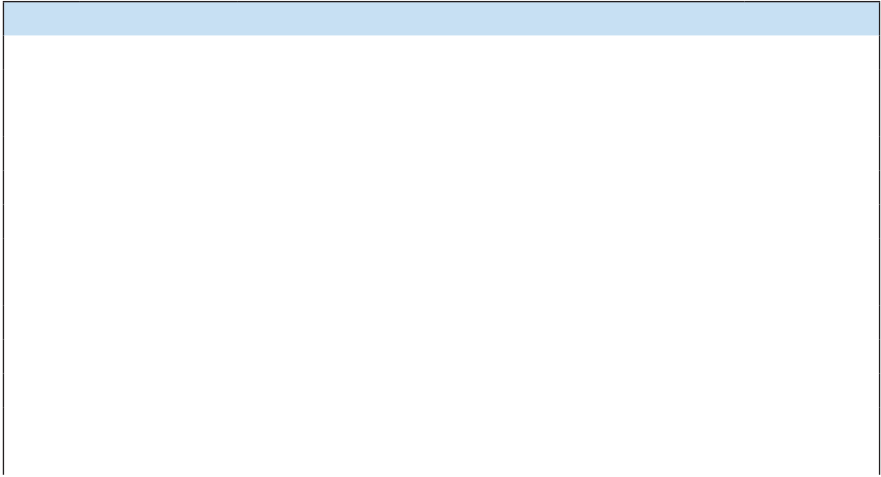
9 4 > 6 ( " # "

# ' 3

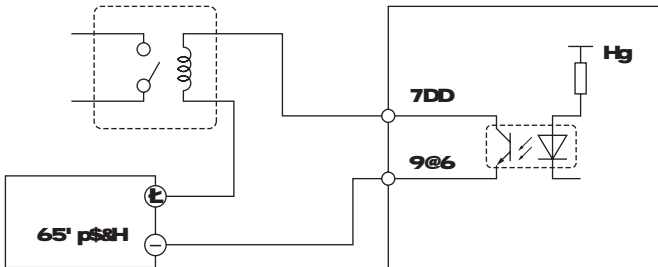
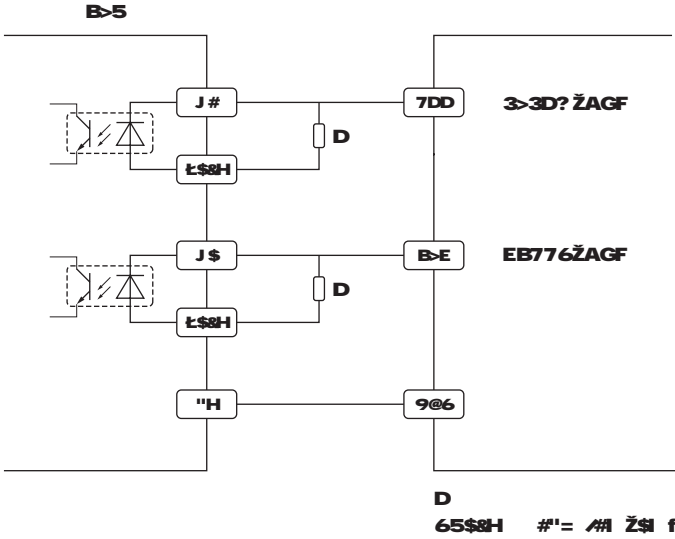
' " H







B>5



# GBLD6010

#		
\$		
%	? A E	
&		
.		
(		
)		
*		

---